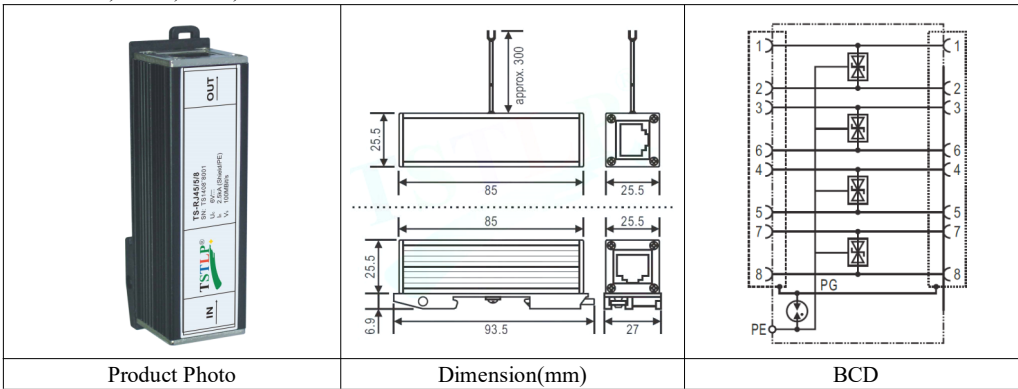




■ TSTLP® Single-Port Surge Arrester for RJ45 Network Protection

- ❖ **INTRODUCTION:** TS-RJ45 is designed to protect network equipment from interruption caused by surge current according to IEC 61643-21; GB 18802.21; YD/T 15420. Mainly used for network equipment, e.g. Switch, router, HUB, modem and so on.



❖ TECHNICAL DATA

Model		TS-RJ45/5/8	TS-RJ45/24/8
Nominal voltage	Un	5V	24V
Rated voltage (max. continuous dc voltage)	Uc	6V	30V
Rated voltage (max. continuous ac voltage)	Uc	4.2V	21.1V
Lightning Impulse Current (10/350)	Iimp	0.5kA	0.5kA
Nominal discharge current (8/20)	In	0.3kA (line-line) 0.3kA (line-PG) 2.5kA (shield-PG)	0.1kA (line-line) 0.1kA (line-PG) 2.5kA (shield-PG)
Max. discharge current (8/20)	Imax	0.4kA (line-line) 0.4kA (line-PG) 5kA (shield-PG)	0.2kA (line-line) 0.2kA (line-PG) 5kA (shield-PG)
Voltage protection level at In	Up	≤35V (line-line) ≤35V (line-PG)	≤60V (line-line) ≤60V (line-PG)
Voltage protection level at 1kV/ms	Up	≤13V (line-line-PG) ≤700V (shield-PG)	≤45V (line-line-PG) ≤700V (shield-PG)
Response time	tA	≤1ns (line-line) ≤100ns (shield-PG)	
Bandwidth	fG	165MHz	
Max. data transmission rates	Vs	100Mbits/s	
Operating temperature range		-40°C...+80°C	
Connection (input / output)		RJ45 shield socket	
Pining		1/2, 3/6, 4/5, 7/8	
Earthing via		Earthing screw	
Mounting on		35mm DIN rail	
Enclosure material		Aluminum	
Standards		IEC 61643-21; GB 18802.21; YD/T 1542	
Compliance		CE(LVD,EMC)	

❖ MAIN CHARACTER

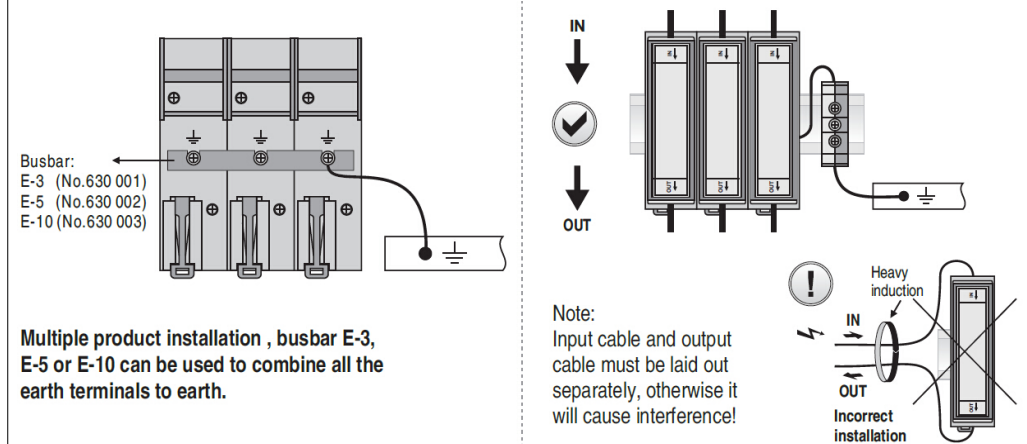
- ✓ For protecting computer data transmission system, network system and so on
- ✓ Good discharge capacity, low voltage protection level
- ✓ Quick response, high transmission speed, low signal attenuation
- ✓ RJ45 connection, easy for installation

INSTALLATION INSTRUCTION

1. This product is connected in series to the protected device.
2. Mount the SPD on 35 mm DIN rail.
3. The out terminal should be connected to the protected devices.
4. SPD's earthing terminal must be connected to nearby earthing BusBar or the metal earthing enclosure of protected device.

Regularly inspect the operating status, especially after lightning. Once the communication is off, electrician should check/replace the SPD.

TS-RJ45/5/8 & TS-RJ/24/8 INSTALLATION DIAGRAM



WARNING:

- The device must be installed by electrically skilled person, conforming to national standards and safety regulations.
- It is recommended that installation should be done under power off condition.